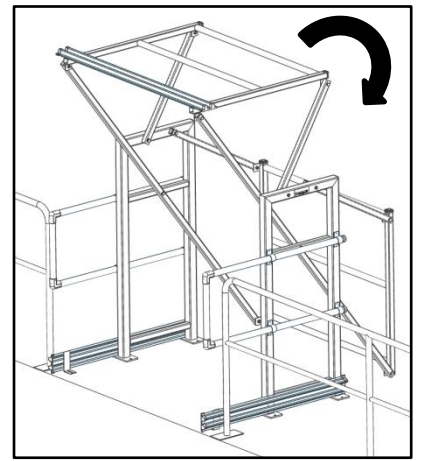
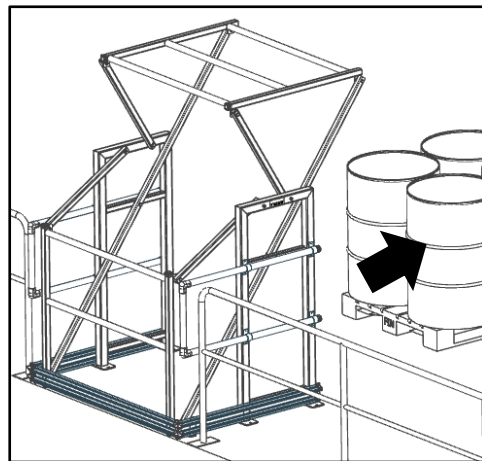
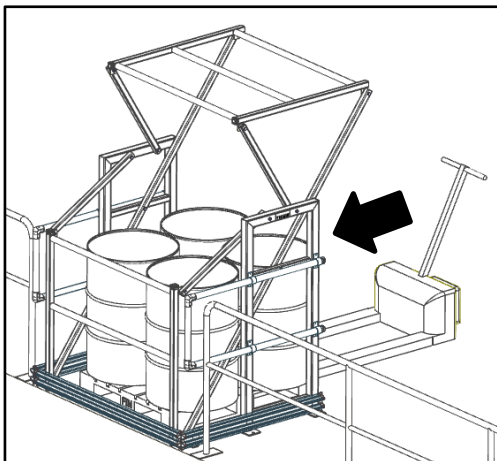
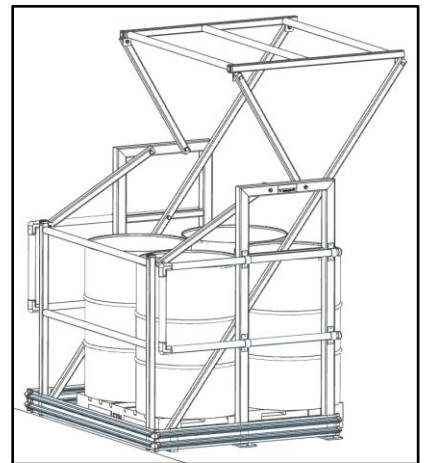
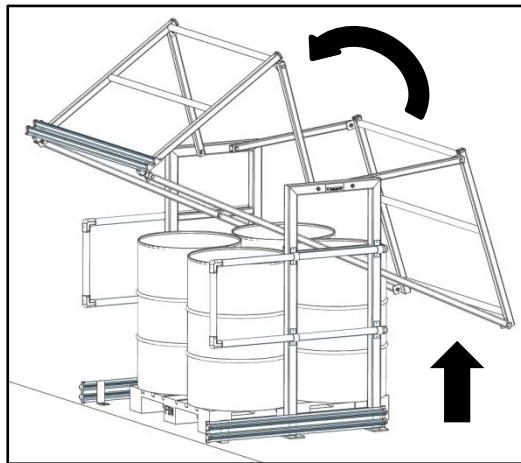
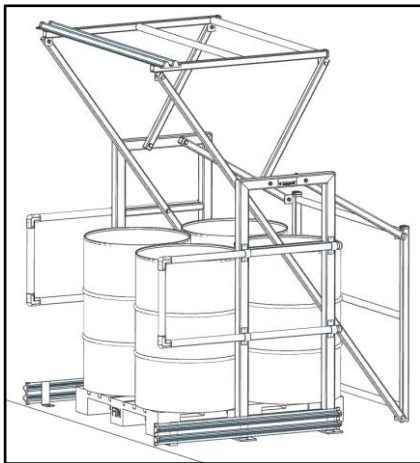
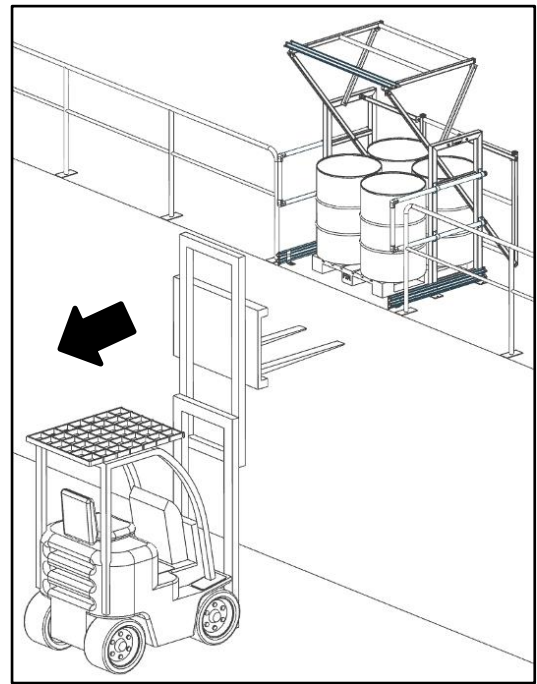
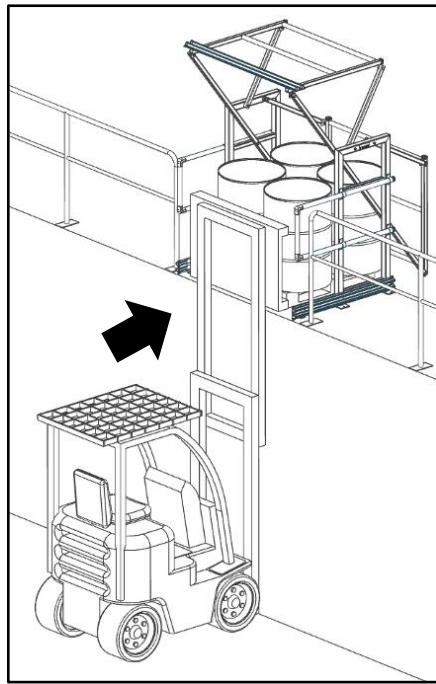
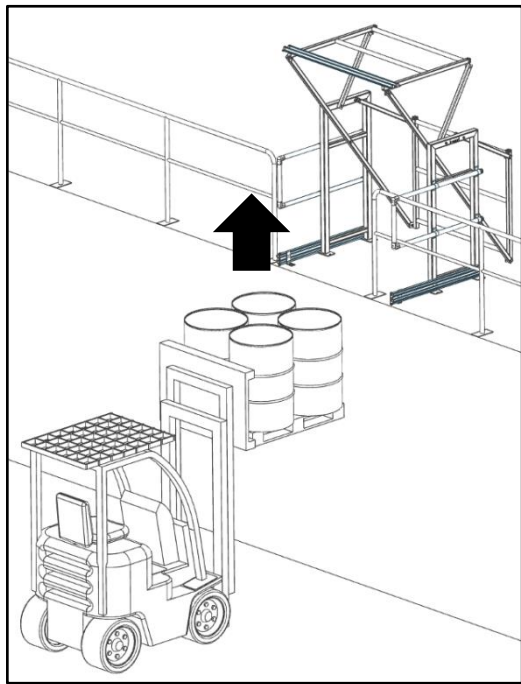
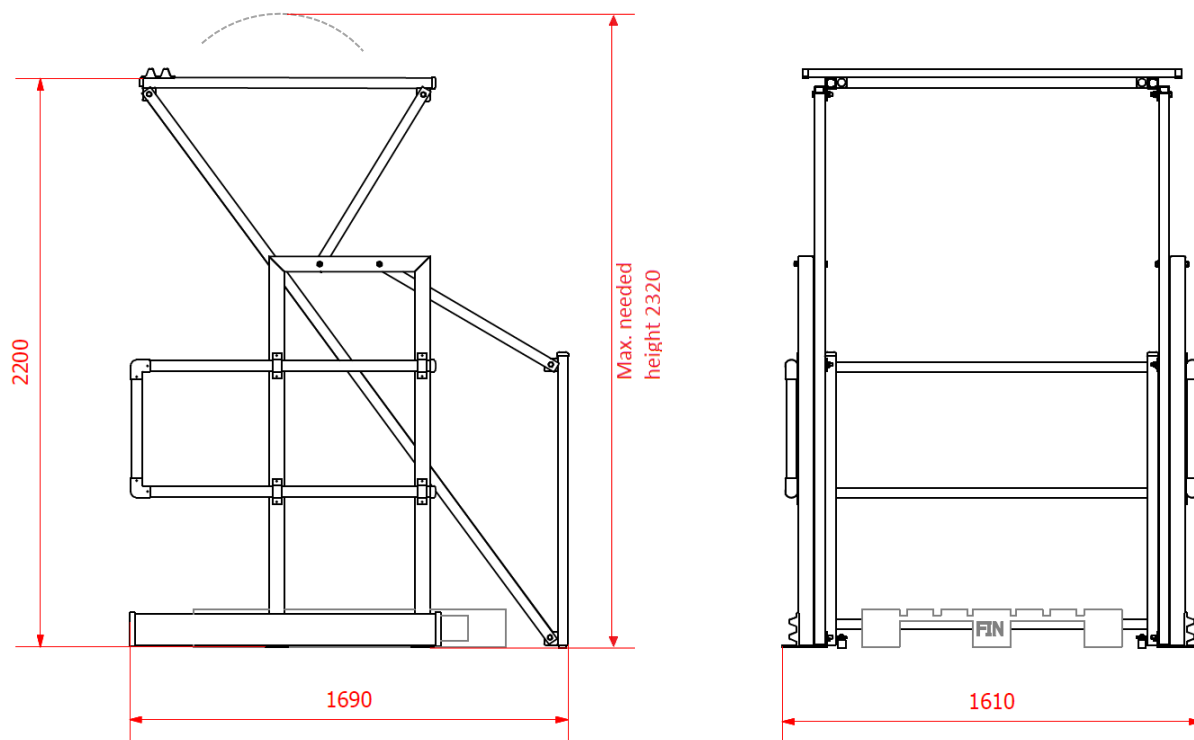


# R-lavaportti<sup>®</sup>

## Mezzanine gate







### Technical specifications:

- Mezzanine gate is used to prevent access to the edge of the platform when materials are moved to or from the mezzanine
- Continuously prevents access to the platform's edge, meaning that the gate is a physical obstacle in both positions, according to EN-ISO 14122
- The basic model is designed for normal cargo pallets (FIN/EUR). Greatest dimensions of material that can be transported via the basic model gate: height 1800mm, length 1500mm, width 1280mm
  - The dimensions of the gate: height 2200mm (2320mm needed for action of gate), length 1690mm, width 1610mm
  - **Also available in custom sizes**, max. width 2410mm (two parallel FIN-cargo pallets)
- Manually used, equipped with bearings, lightweight construction
- Economical freight expenses, the gate is assembled on-site, attachment to floor level by anchor bolts or bolts.
  - Also available fully assembled
- Material galvanized steel or stainless steel
- Weight of the basic model 120kg (265lbs)